

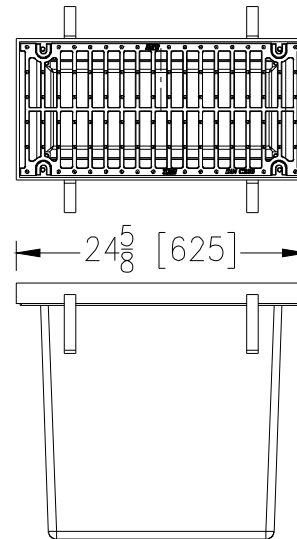
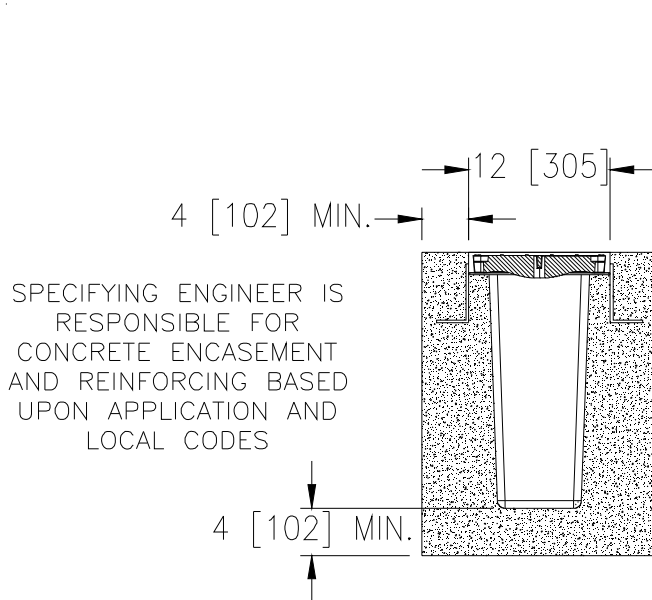


Z817-12

12 [305] x 24 [610] WIDE REVEAL FIBER REINFORCED POLYMER CATCH BASIN

TAG _____

Dimensional Data (inches and [mm]) are Subject to Manufacturing Tolerances and Change Without Notice



NOTE: + Actual Channel length is 24-5/8 [625].

ENGINEERING SPECIFICATION: Zurn Z817-12

Catch Basin shall be 12 [305] wide reveal, 24-5/8 [625] long and 24 [610] deep. Catch basin shall be made of 0% water absorbent Fiber Reinforced Polyester (FRP) fiberglass. Shall mechanically lock into the concrete surround. Basin shall weigh less than 14.6 lbs. [6.6 kg]. Catch basin shall have rebar clips standard to secure basin in its final location. Shall be provided with standard DGC grate. Zurn 12 [305] wide reveal Ductile Iron Slotted Grate conforming to ASTM specification A536-84, Grade 80-55-06. Ductile Iron grate is rated class C per the DIN EN1433 top load classifications. Supplied in 24 [608] nominal lengths with 13/16 [21] wide slots, and 1-1/2 [38] bearing depth. Grate has an open area of 80.8sq. in per ft. [171,027 sq. mm per meter]. The 1/4 [6] thick Heavy-Duty Frame Assembly conforms to either ASTM specification A36 or A536-84 with 4 - 4 [102] long concrete anchors per basin. The frame is supplied with a powder coated finish. All welds must be performed by a certified welder per ASTM standard AWS D1.1. Frames Shall be produced in the U.S.A.

PREFIX OPTIONS (Check/specify appropriate options)

- Z 12-inch by 24-inch Fiber Reinforced Polymer (FRP)*
- ZV 12-inch by 24-inch Fiber Reinforced Vinylster

SUFFIX OPTIONS (Check/specify appropriate options)

- Outlet Adapters Add/Each**
- E4 4 [102] No-Hub End Outlet
 - E6 6 [152] No-Hub End Outlet
 - E8 8 [204] No-Hub End Outlet
 - U4 4 [102] No-Hub Bottom Outlet
 - U6 6 [152] No-Hub Bottom Outlet
 - U8 8 [204] No-Hub Bottom Outlet

Frame Options

- CBF Black Acid Resistant Coated Frame

Grate Options (Load Classifications are per DIN EN1433)

- BDC Black Acid Resistant Epoxy Coated Ductile Grate - Class C
- BDE Black Acid Resistant Epoxy Coated Ductile Grate - Class E
- BG Galvanized Ductile Iron Bar Grate - Class D
- DC Ductile Iron Solid Cover - Class C
- DGC Ductile Iron Slotted Grate - Class C*
- DGE Ductile Iron Slotted Grate - Class E
- DGF Ductile Iron Slotted Grate - Class F
- GDC Galvanized Ductile Slotted Grate - Class C
- GDE Galvanized Ductile Slotted Grate - Class E
- GDF Galvanized Ductile Slotted Grate - Class F
- GHPD Galvanized Heel-Proof Ductile Grate - Class C
- GHPDE Galvanized Heel-Proof Ductile Slotted Grate - Class E
- HPD Heel-Proof Ductile Slotted Grate - Class C

- HPDE Heel-Proof Ductile Slotted Grate - Class E
- RFGC Reinforced Slotted Galvanized Grate - Class C
- RPGC Reinforced Perforated Galvanized Grate - Class C
- RPGRC Reinforced Perforated Galvanized Reverse Punch Grate - Class C
- RFSC Reinforced Slotted Stainless Steel Grate - Class C
- RPSC Reinforced Perforated Stainless Steel Grate - Class C
- RPSRC Reinforced Perforated Stainless Steel Reverse Punch Grate - Class C

Miscellaneous Options

- IA Inlet Adapter - Z806
- IA Inlet Adapter - Z812

MADE in the U.S.A. (Load Classifications are per DIN EN1433)

- ADA-USA Meets Americans with Disabilities Act Requirements - Class C
- DGC-USA Ductile Iron Slotted Grate - Class C
- DGE-USA Ductile Iron Slotted Grate - Class E
- FG Fabricated Galvanized Steel Slotted Grate - Class A
- FS Fabricated Stainless Steel Slotted Grate - Class A
- GADA-USA Galvanized Ductile ADA Slotted Grate - Class C
- GDC-USA Galvanized Ductile Slotted Grate - Class C
- GDE-USA Galvanized Ductile Slotted Grate - Class E
- GHPDE-USA Galvanized Heel-Proof Ductile Slotted Grate - Class E
- HPDE-USA Heel-Proof Ductile Slotted Grate - Class E
- PG Perforated Galvanized Steel Grate - Class A

- PS Perforated Stainless Steel Grate - Class A
- SBG-L Stainless Steel Bar Grate - Class C

Miscellaneous Options

- DB Bottom Dome Strainer
- FT Foul Air Trap
- VP Vandal-Proof Lockdown
- Y Sediment Bucket

REV. D DATE: 5/10/12 C.N. NO. 124290
 PROD./DWG. NO. Z817-12

*REGULARLY FURNISHED UNLESS OTHERWISE SPECIFIED

ZURN INDUSTRIES, LLC ♦ SPECIFICATION DRAINAGE OPERATION ♦ 1801 Pittsburgh Ave. ♦ Erie, PA 16514

Phone: 814455-0921 ♦ Fax: 814454-7929 ♦ World Wide Web: www.zurn.com

In Canada: ZURN INDUSTRIES LIMITED ♦ 3544 Nashua Drive ♦ Mississauga, Ontario L4V1L2 ♦ Phone: 905405-8272 Fax: 905405-1292